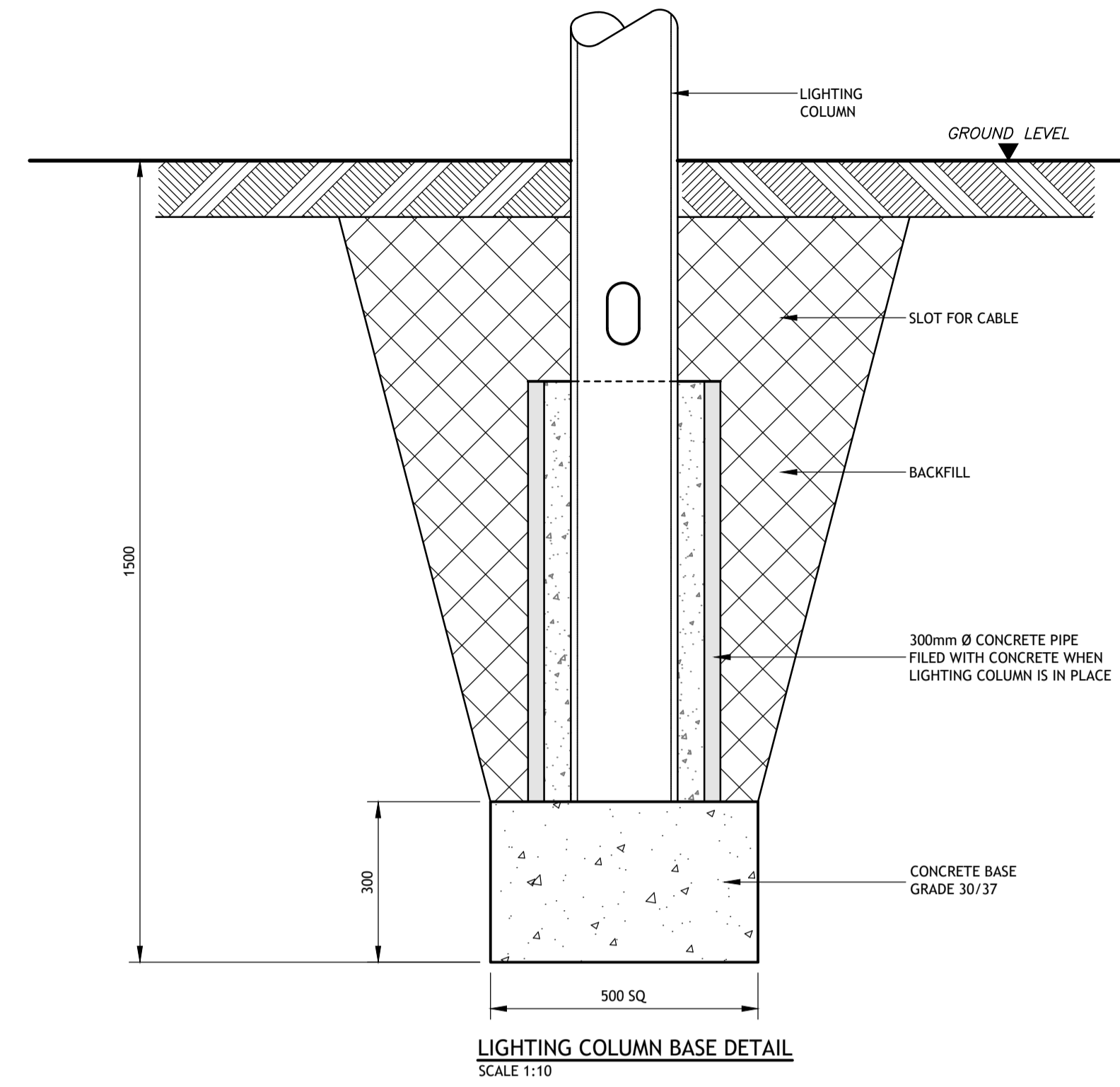
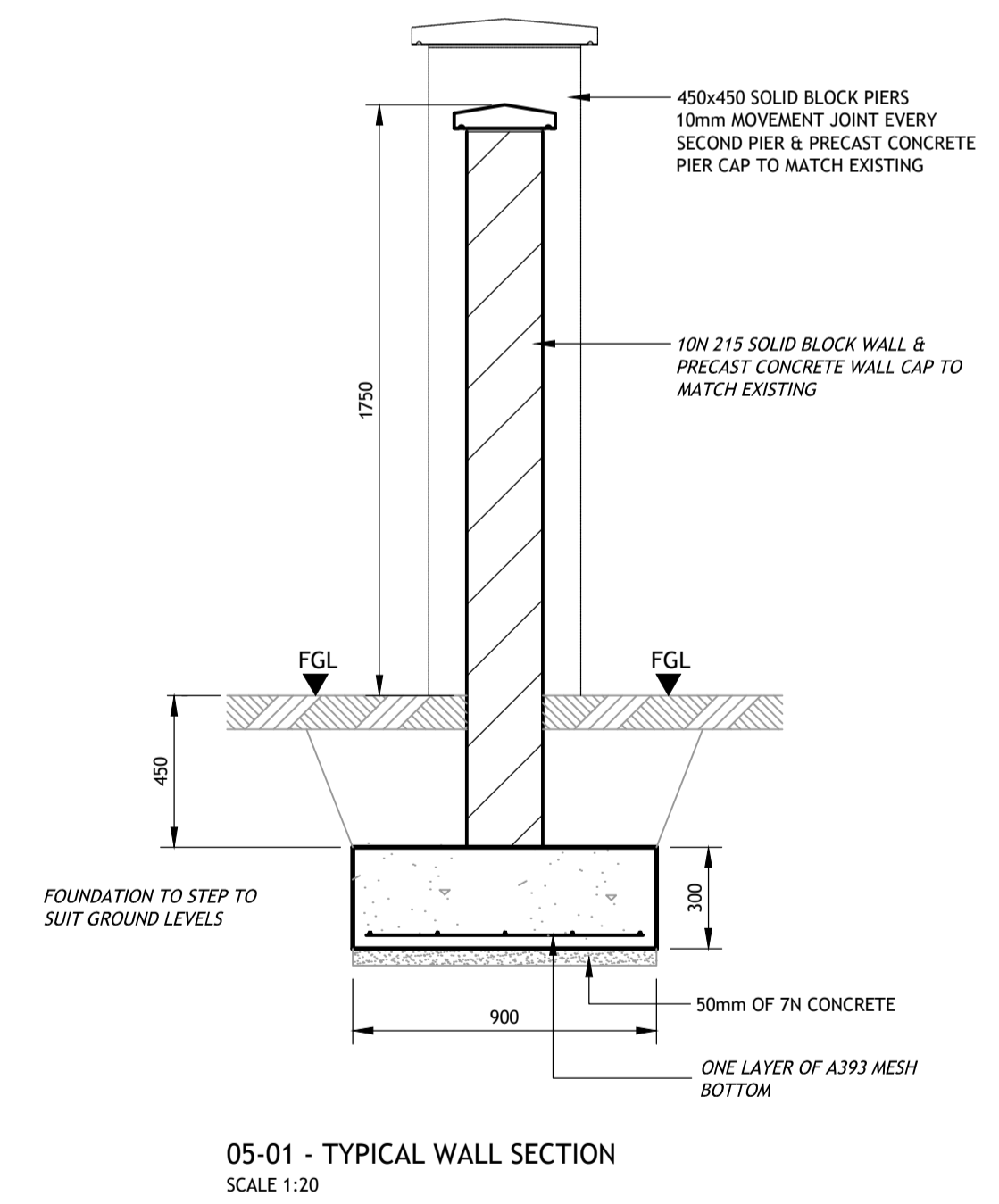
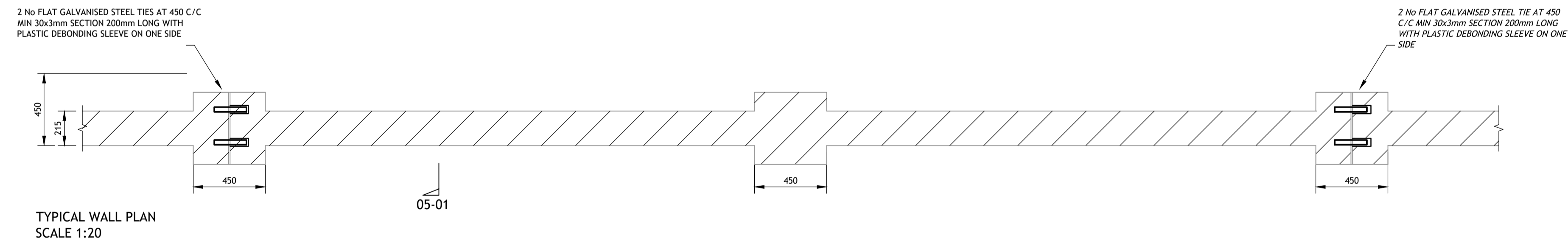


TYPICAL SINGLE POST SIGN  
SCALE 1:20



LIGHTING COLUMN BASE DETAIL  
SCALE 1:10



© Punch Consulting Engineers

This drawing and any design hereon is the copyright of the Consultants and must not be reproduced without their written consent. All drawings remain the property of the Consultants. Figured dimension only to be taken from this drawing. Consultants to be informed immediately of any discrepancies before work proceeds.



Date Drawn: 2019-02-14  
Drawn By: D Murphy  
Date Issued: 2019-02-19  
Issued By: D Murphy



Rev	Amendment	By	Date
PL0	ISSUED FOR PART 8 PLANNING	DM	2019-02-19
PL0	RE-ISSUED FOR PART 8 PLANNING	TH	2019-10-21

Client:  
Comhairle Contae Thiobraid Árann  
Tipperary County Council

Job: BOHER BURIAL GROUND  
Title: CONSTRUCTION DETAILS - SHEET 2  
PUNCH consulting engineers  
Dublin|Limerick|Cork|Galway|Glasgow  
97 Henry Street, Limerick, V94 YC2H  
IRL: +353 61 221 200 www.punchconsulting.com

Stage: PLANNING  
Scale @ A1: 1:250  
Technician Check: C O'Sullivan  
Engineer Check: D Murphy  
Approved: D Gallery  
Drawing No: 161-213-022  
Rev: PL0