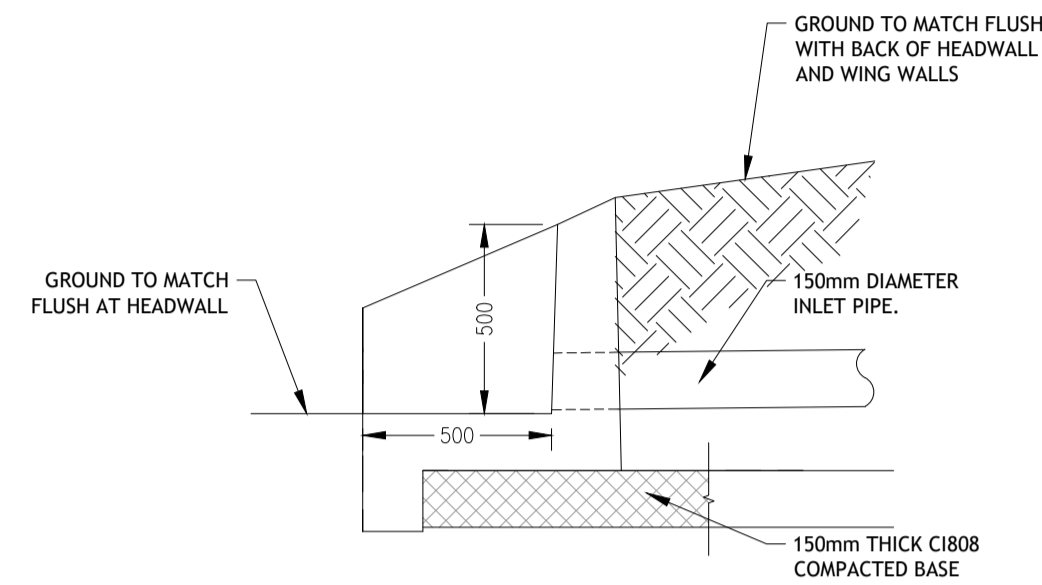
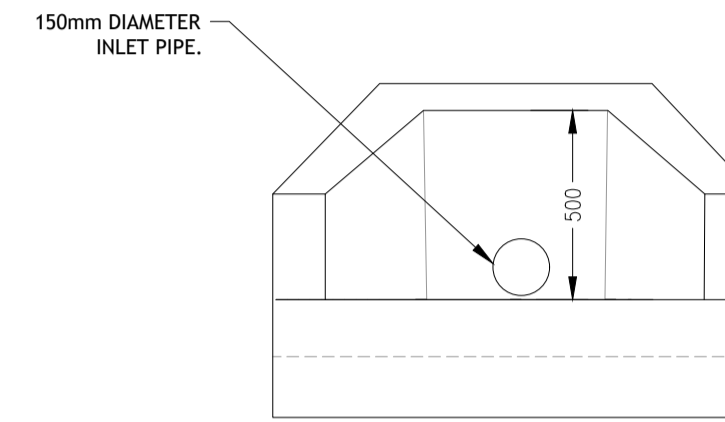


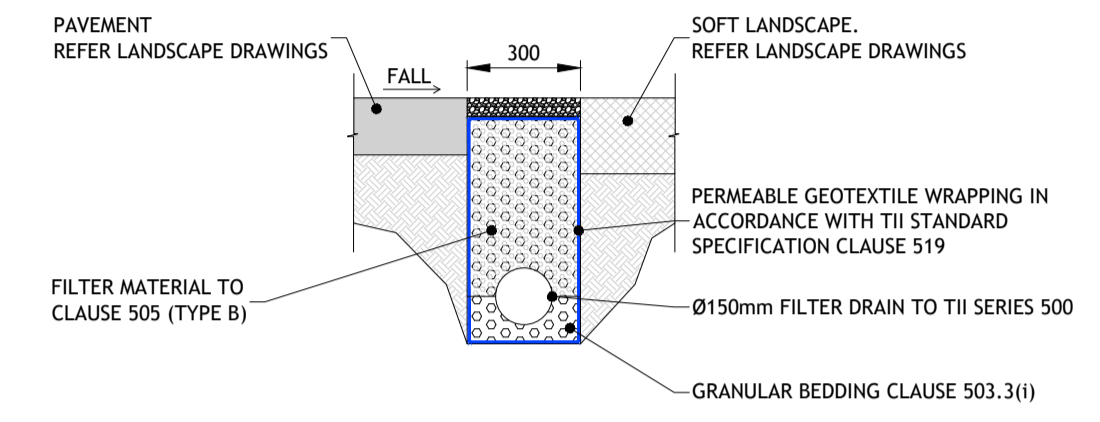
PRECAST CONCRETE HEADWALL - PLAN
SCALE 1:20



PRECAST CONCRETE HEADWALL - SECTION
SCALE 1:20



PRECAST CONCRETE HEADWALL - FRONT ELEVATION
SCALE 1:20



FILTER DRAIN - TYPICAL SECTION
SCALE 1:20

NOTES:
THE SPECIFIC ARRANGEMENT OF THE PRECAST HEADWALL IS SUBJECT TO THE SPECIFIC PRODUCT PROPOSED.

Rev	Amendment	By	Date	Rev	Amendment	By	Date
P01	PART 8 PLANNING APPLICATION	RD	2022/06/27				
P02	PART 8 PLANNING APPLICATION	RD	2022/07/15				