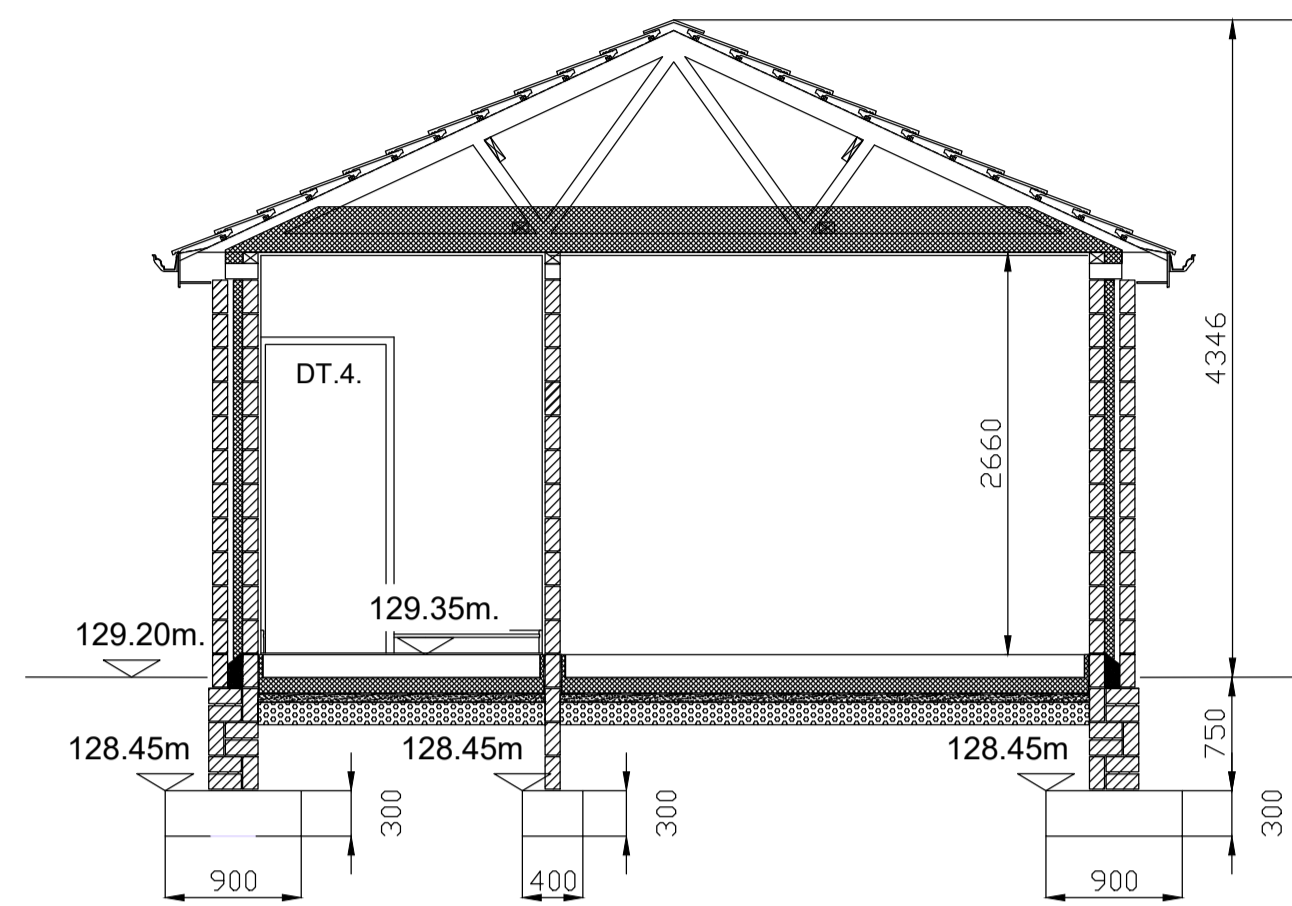


PLAN



Floor Slab:
150mm C25/30 Concrete slab, power float finish on 100mm of KINGSPAN insulation (0.035 W/mK), on Radon barrier on under slab void for gas extraction purposes. 50mm Sand Blinding on 150mm (min.) Clause 804 Hardcore Fill.

Foundations:
900mm x 300mm RC Strip Foundation (typical external perimeter) Concrete Grade C32/40 Reinforcement: H12 Bars @ 200mm c/c each way, bottom face only.

SECTION A-A

Notes:

Windows:
PCV Double Glazed Units,
Roof Construction:
Prefabricated Roof Trusses at 300mm. 50 x 25mm Slate Battens. Blue / Black Concrete Roof Tiles on Sarking Felt. 180mm of Mineral Wool Insulation - (0.035 W/mK) between and crossed over the rafters. Maintain a 50mm air space between the felt and the insulation all around.
Roof Pitch - 25 Degrees.

Fixings for Rafters:
Rafters to be fixed to the wall at 1m c/c max with an approved galvanised strap.

Finishes:
Fascia & Soffit - Brown uPVC
Gutters & Downpipe - Brown uPVC
Doors & Windows - Brown uPVC.

Ventilation:
Provide ventilation between the roof at eaves level and to all habitable rooms.

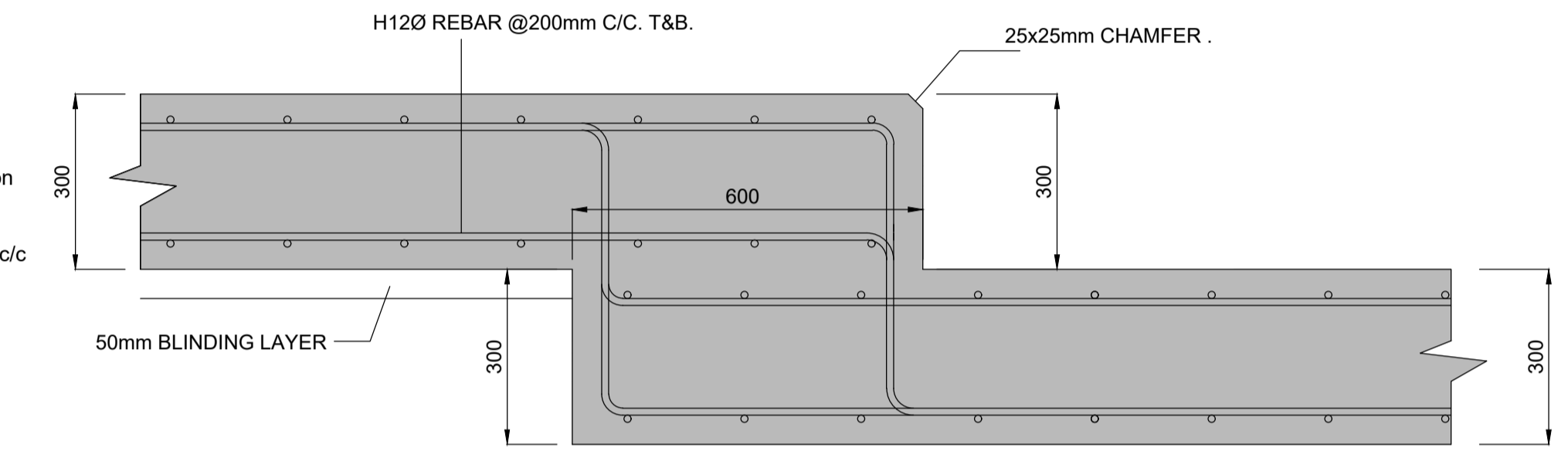
Notes:

This Development shall comply with all current building regulations and requirements.

Wall Construction:
External Walls - 300mm cavity wall with 60mm of KINGSPAN insulation, (0.019 W/mK) Internal Walls External wall finish - 20mm of smooth finished sand/cement render.
Internal wall finish - Admin Area - 20mm of smooth finished sand/cement render with Gypsum hardwall plaster finish.
Internal wall finish - Store Room - Fairfaced Blockwork.
Internal wall finish - Toilets - Tiled Finish.

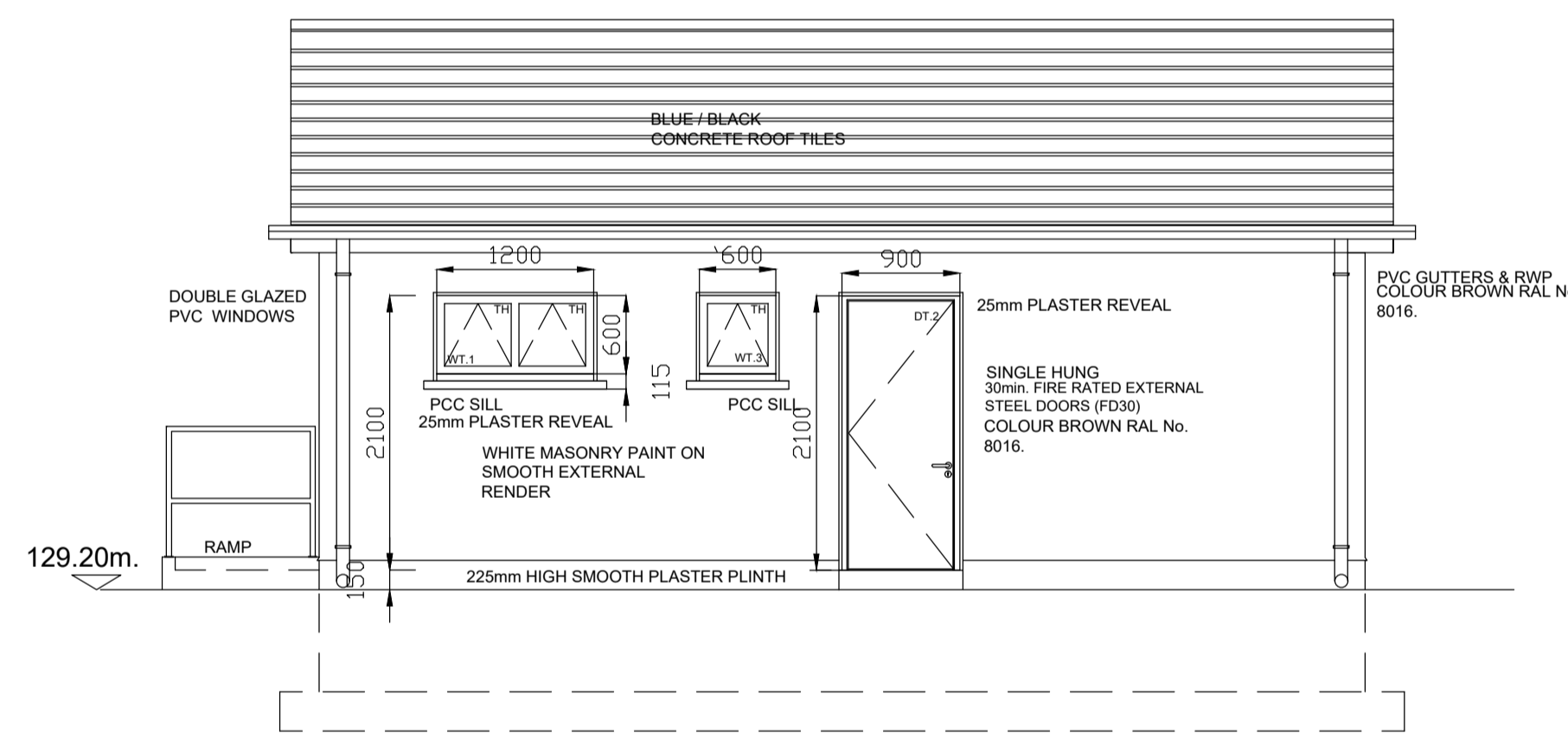
Floor Slab:
150mm C25/30 Concrete slab, power float finish on 100mm of KINGSPAN insulation (0.035 W/mK), on Radon barrier on under slab void for gas extraction purposes.

Lintels and Cills:
Precast, prestressed lintels where ope width is less than 2.2m, otherwise use galvanised pressed metal lintels.

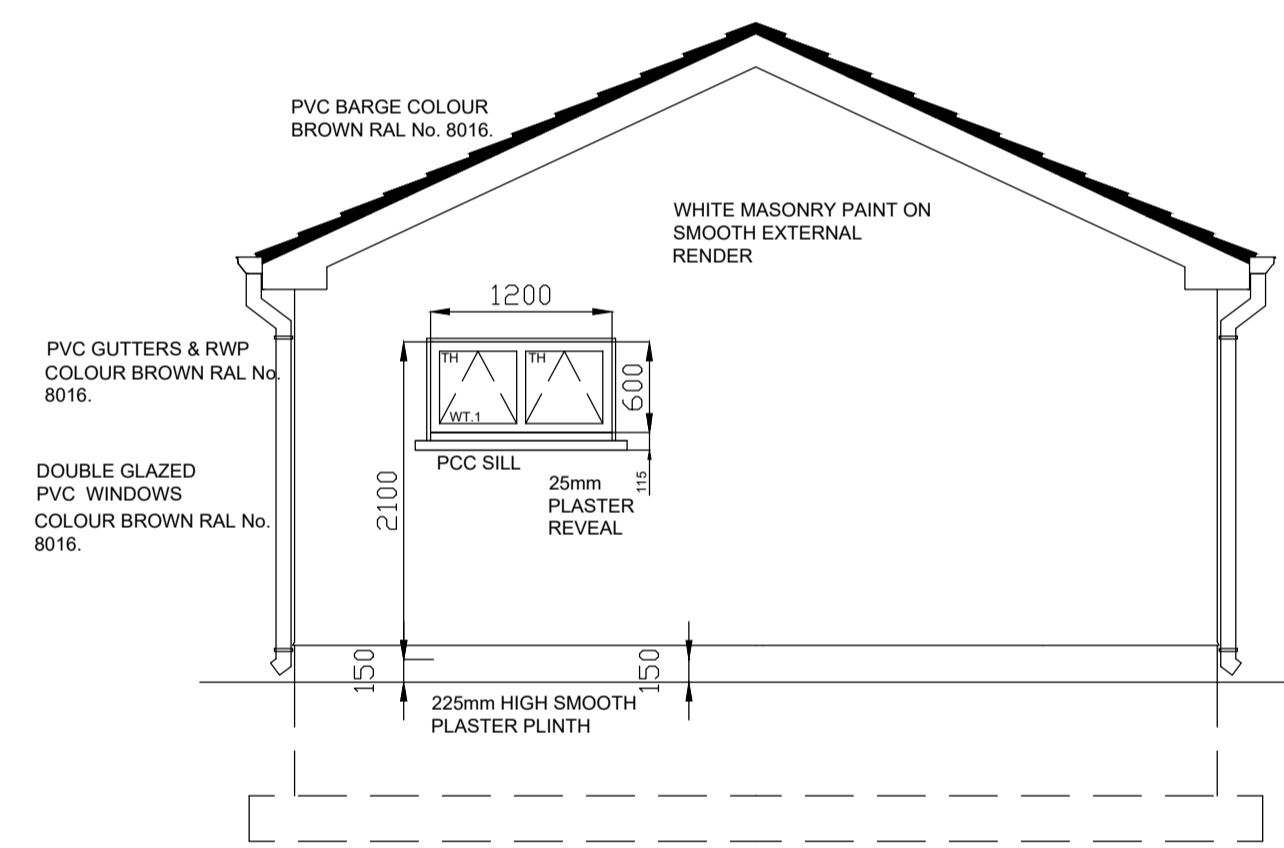


TYPICAL HEADSTONE GROUND BEAM STEP DETAIL

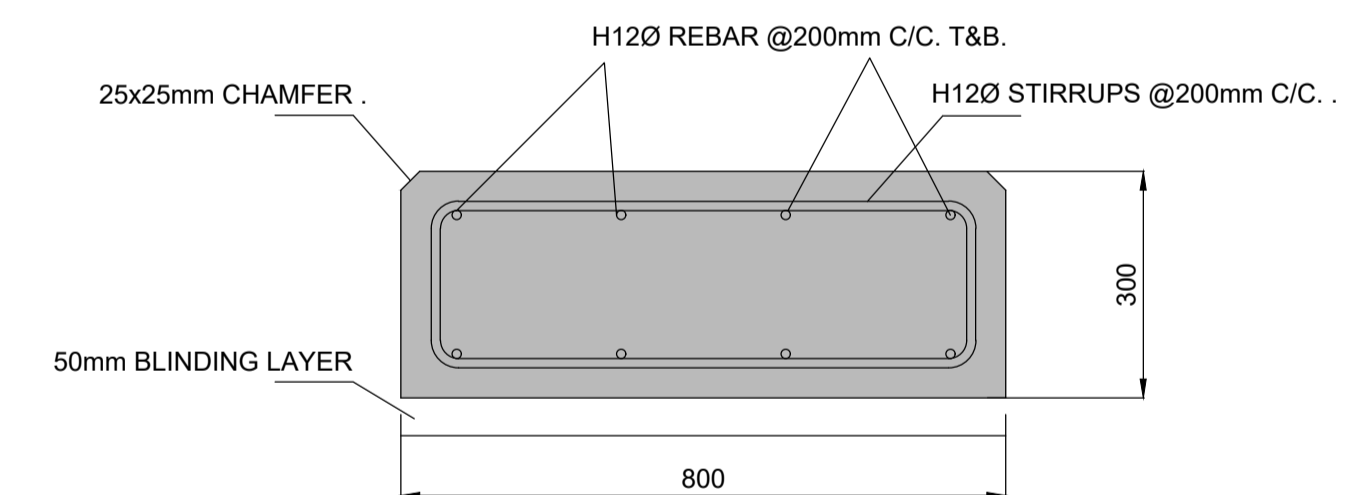
Scale 1/10



SOUTH ELEVATION



EAST ELEVATION



SECTION THRU' PROPOSED HEADSTONE GROUND BEAM (JOINT EVERY 6m. WITH 50% REBAR PASSING THROUGH)

11 No OF VARYING LENGTHS FOR PHASE ONE.

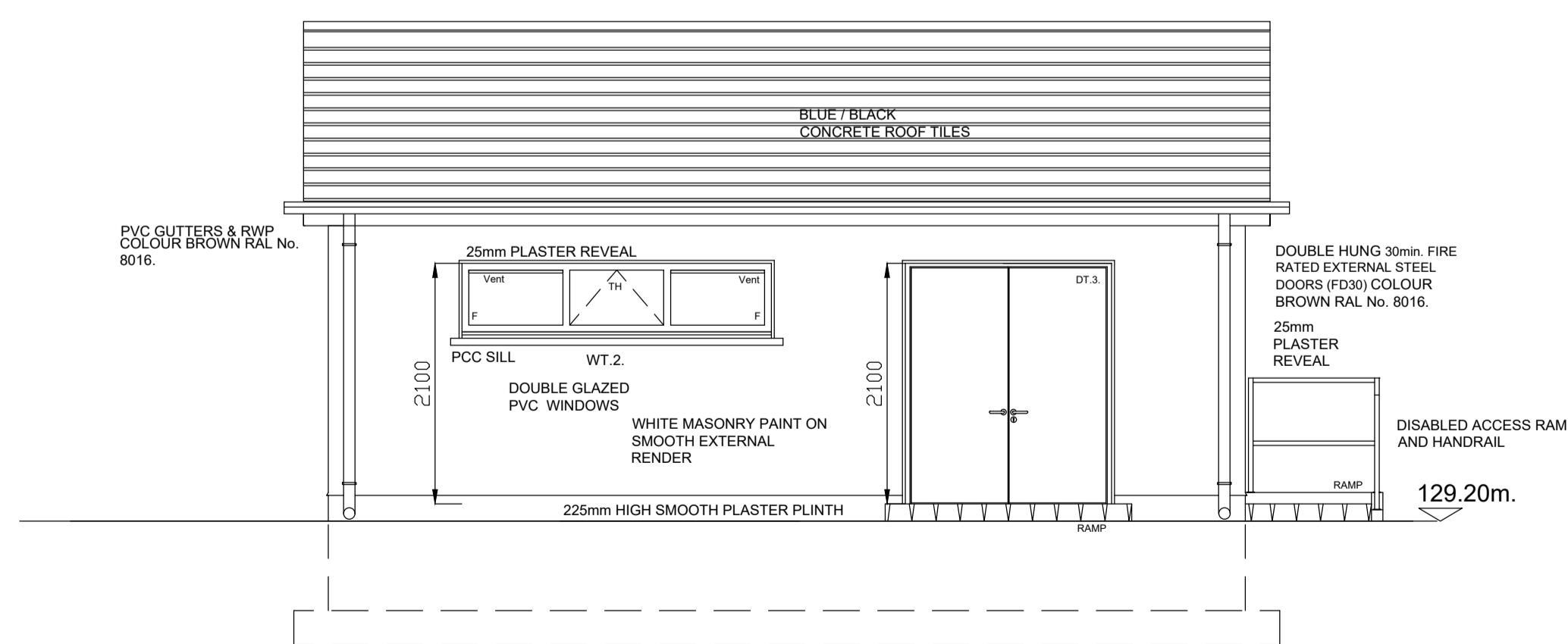
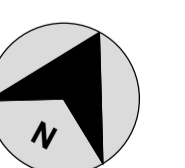
- 2 No X 55m. LONG.
- 6 No X 35m. LONG.
- 1 No X 27m. LONG.
- 1 No X 45m. LONG.
- 1 No X 16m. LONG.

HEADSTONE GROUND BEAM

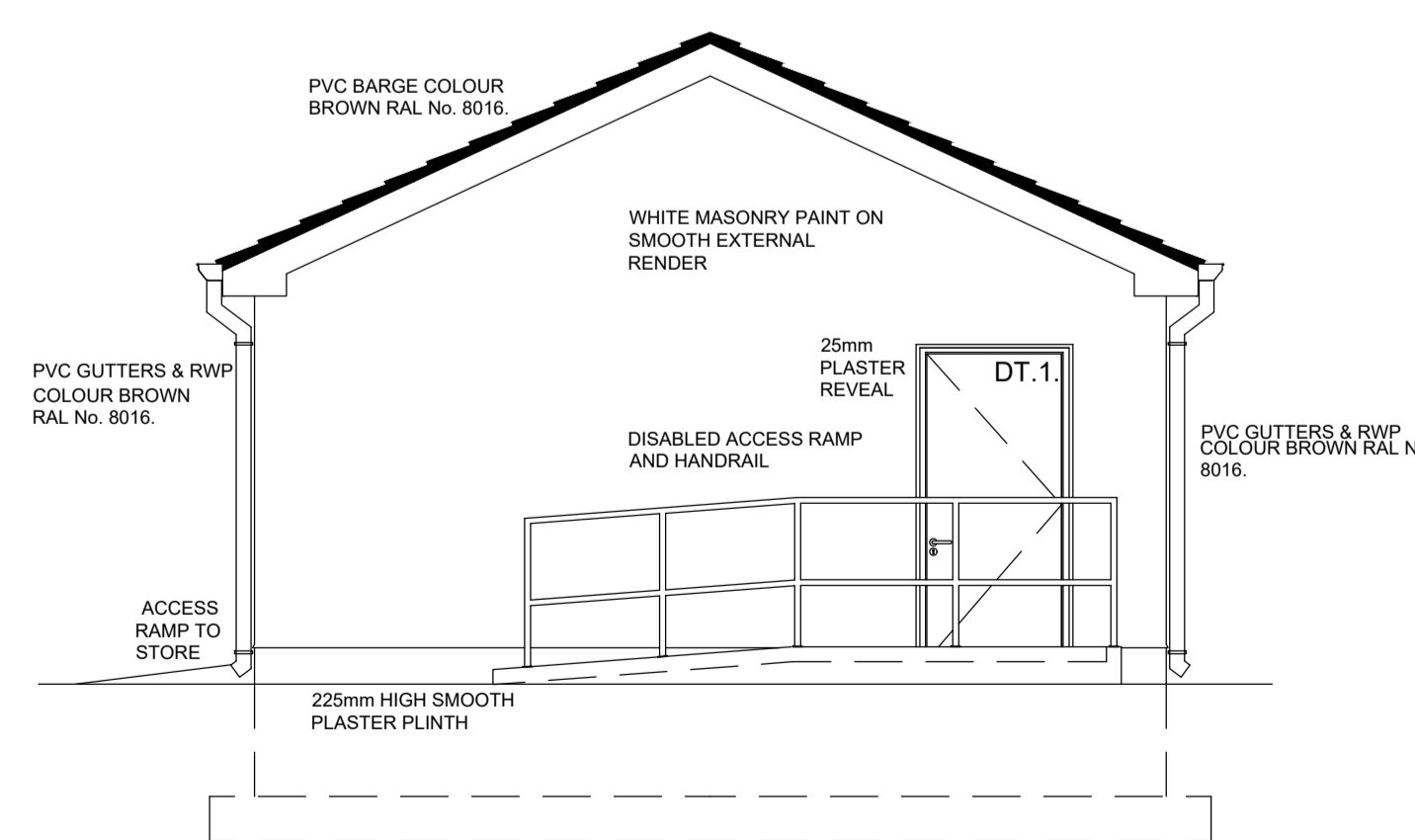
REV	DATE	AMENDMENT
D	27/07/2020	Revised Layout
C	07/06/2020	Annotation
B	30/04/2020	revised layout
A	22/10/2019	revised orientation

CUNNANE STRATTON REYNOLDS
LAND PLANNING & DESIGN

CORK OFFICE
COPLEY HALL, COTTERS STREET CORK
TEL 021 496 9224 FAX 021 496 9012
EMAIL corkinfo@csriandplan.ie



NORTH ELEVATION



WEST ELEVATION

NOTE:

- THIS DRAWING IS INTENDED FOR THE PURPOSE OF MAKING A PLANNING APPLICATION AND MAY NOT BE USED FOR ANY OTHER PURPOSE.
- ALL DETAILS & SPECIFICATIONS SUBJECT TO THE APPROVAL OF PUNCH CONSULTANT ENGINEERS.

PROJECT:	BOHER BURIAL GROUND CO. TIPPERARY	DATE:	FEBRUARY 2019
DRAWING:	UTILITY BUILDING PLAN & ELEVATIONS AND HEADSTONE GROUND BEAM DETAIL	SCALE:	1:50 @ A1
		DRAWN:	CHECKED:
		DRAWING NO:	17432-2-101