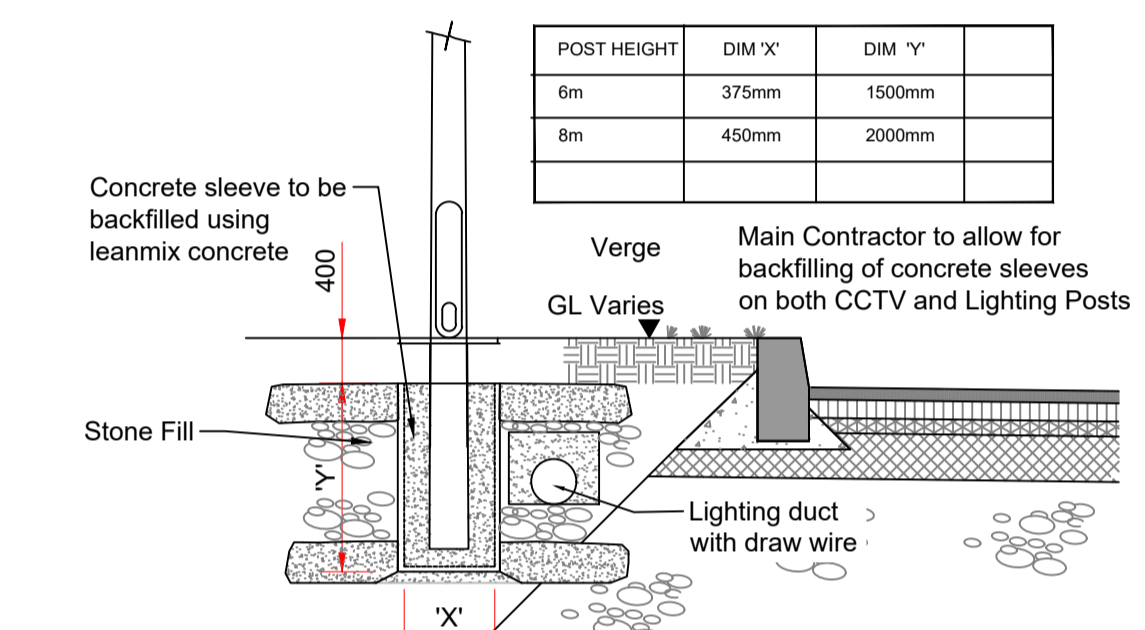
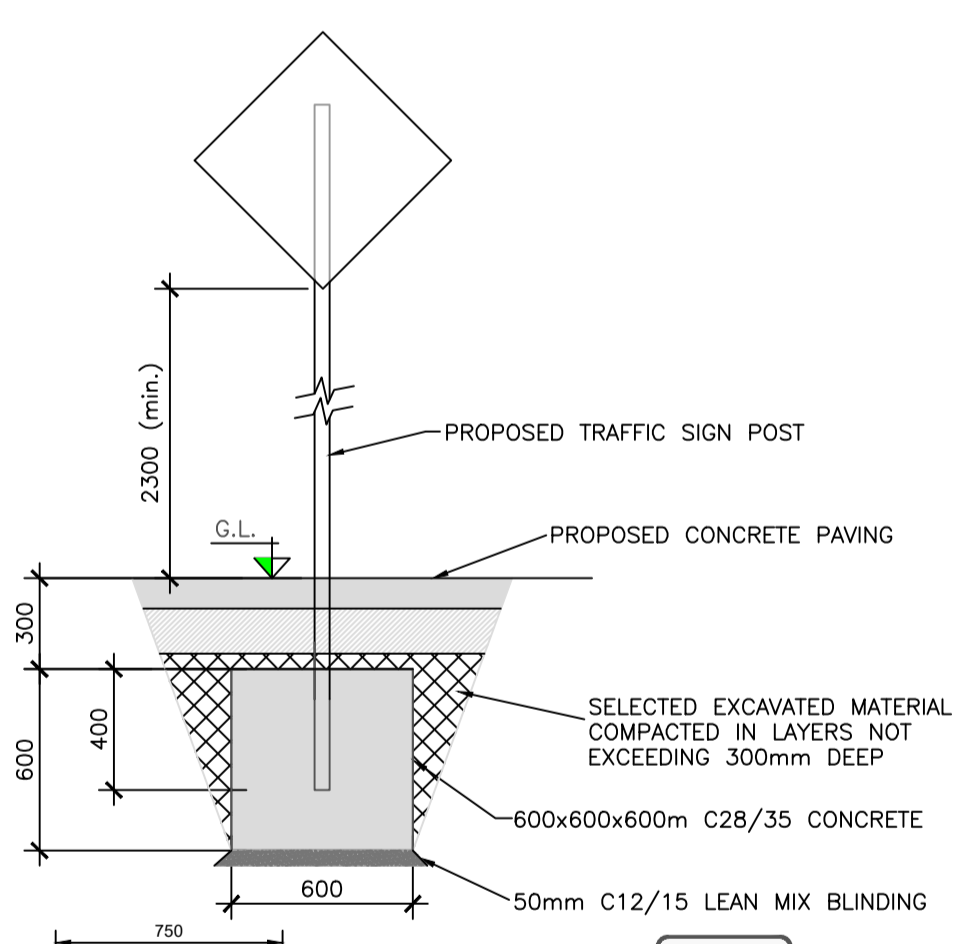


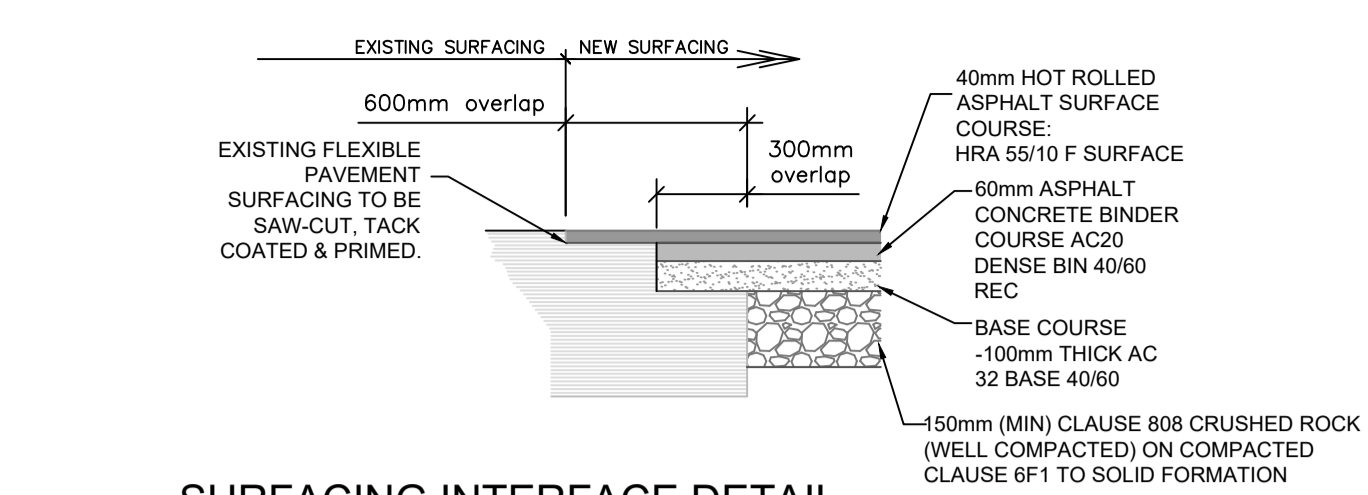
TYPICAL PALIADIN FENCE DETAIL
A1 SCALE 1:25
A3 SCALE 1:50



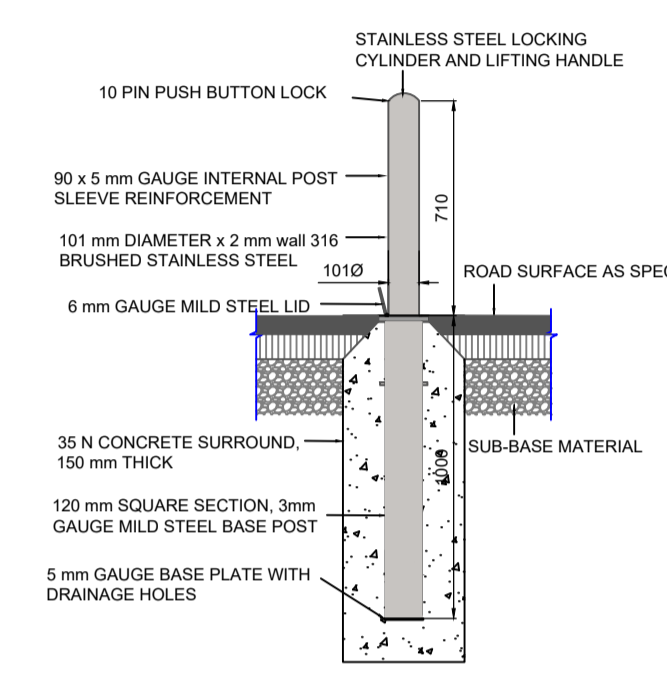
TYPICAL LIGHTING POST FOUNDATION DETAIL
A1 SCALE 1:50



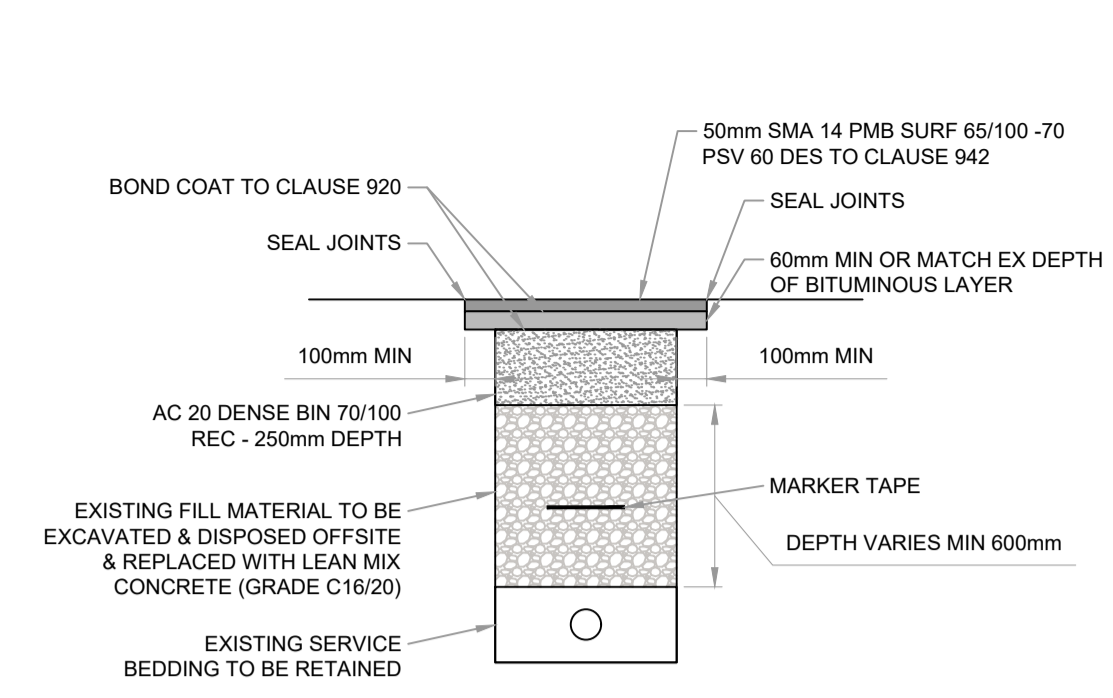
TYPICAL ROAD SIGN DETAILS
A1 SCALE 1:25



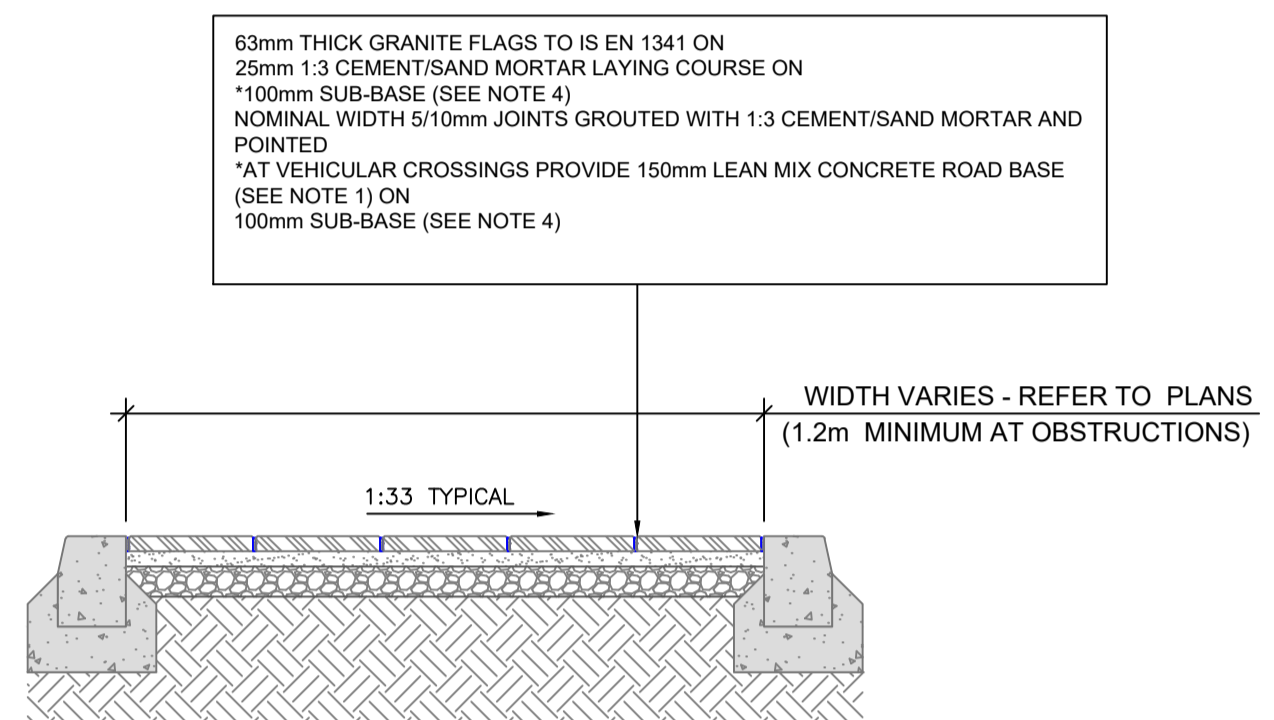
SURFACING INTERFACE DETAIL EXISTING / PROPOSED ASPHALT
A1 SCALE 1:25
A3 SCALE 1:50



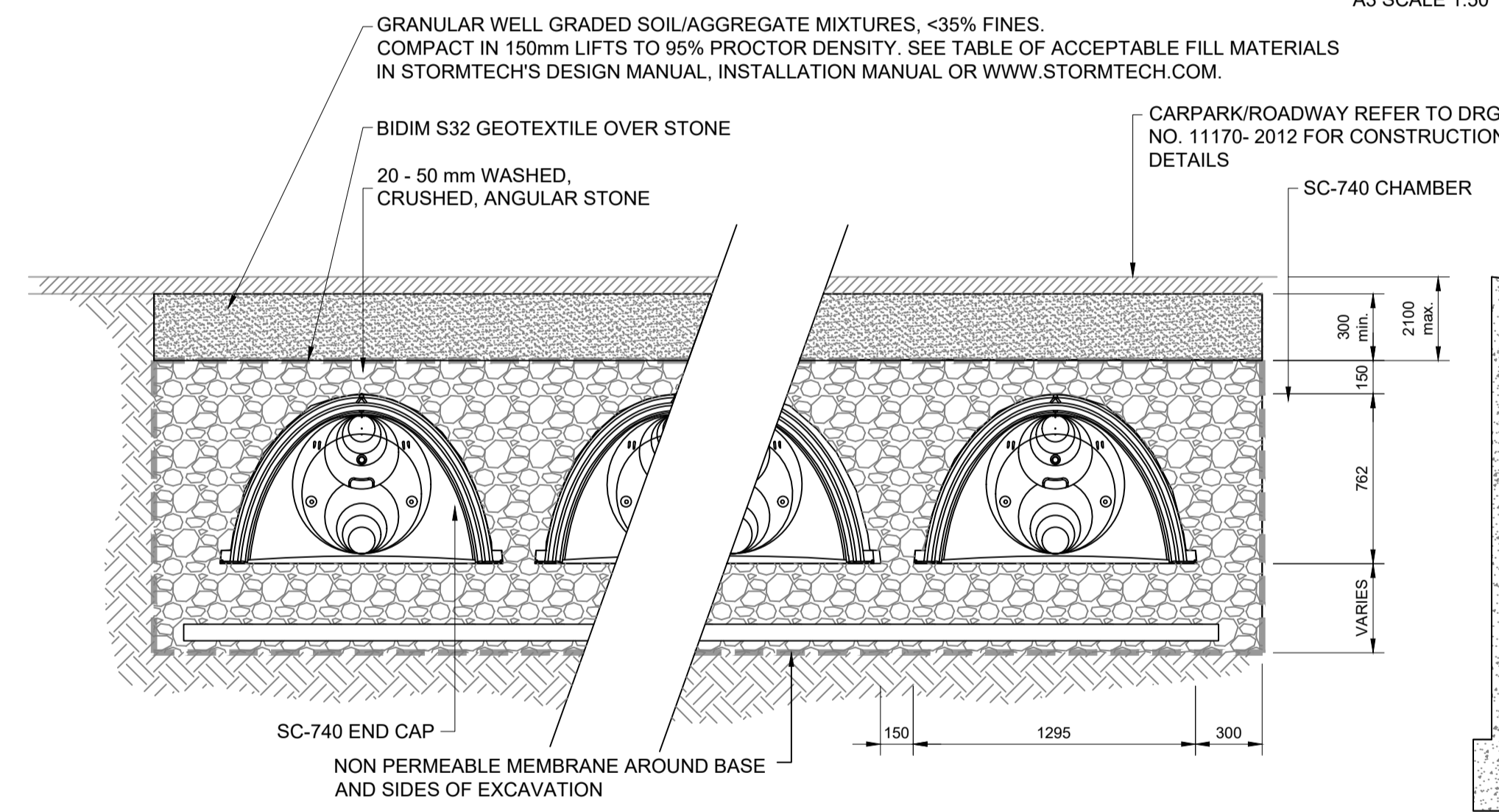
TYPICAL STAINLESS STEEL BOLLARD DETAIL
A1 SCALE 1:25



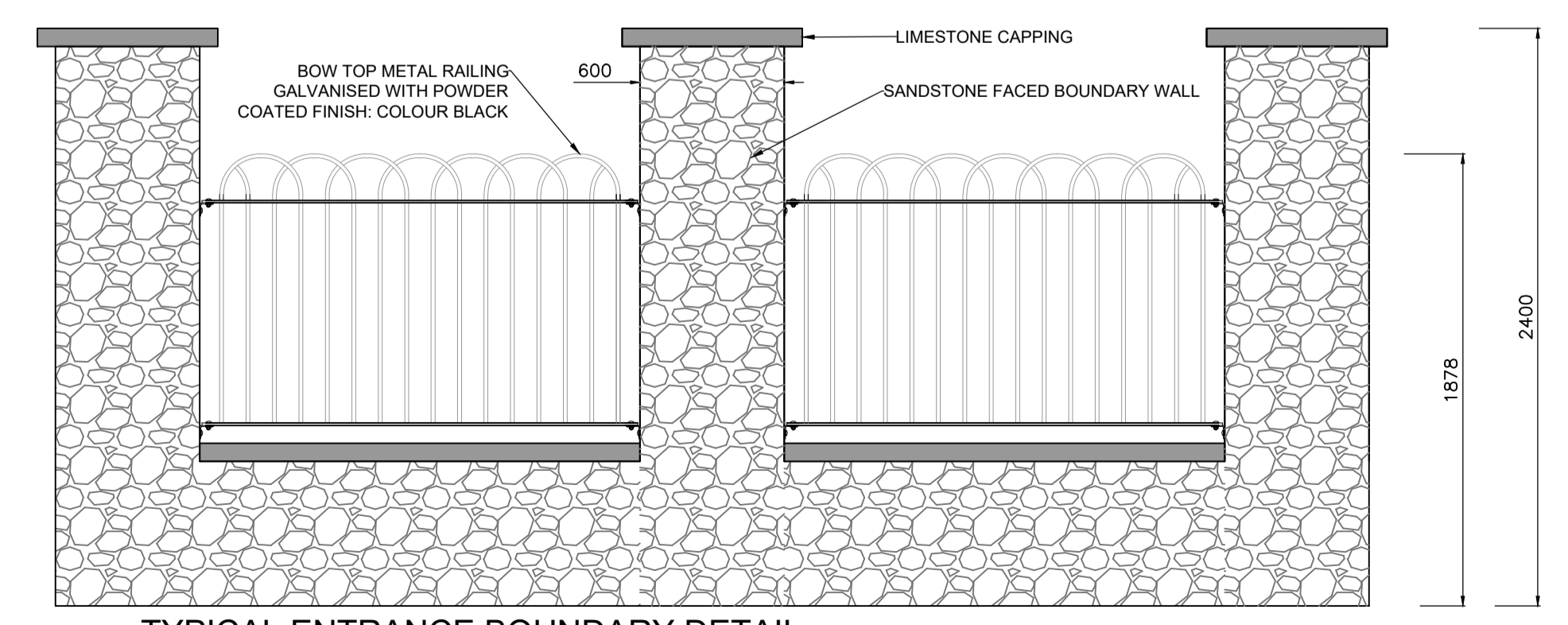
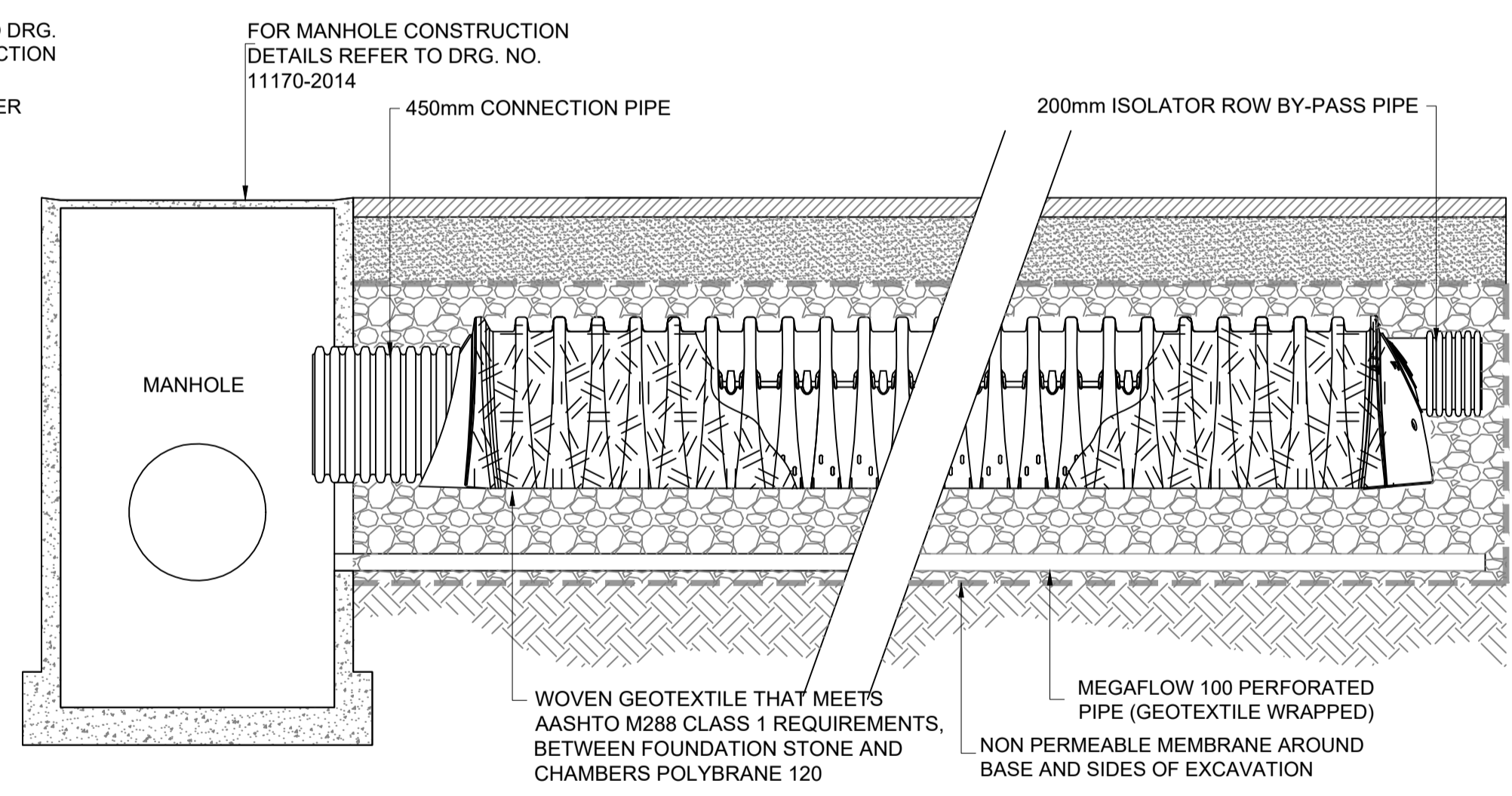
TYPICAL SERVICE REINSTATEMENT DETAIL - ASPHALT ROAD
A1 SCALE 1:25
A3 SCALE 1:50



TYPICAL CROSS SECTION THRO GRANITE FLAGGED FOOTPATH
A1 SCALE 1:25
A3 SCALE 1:50

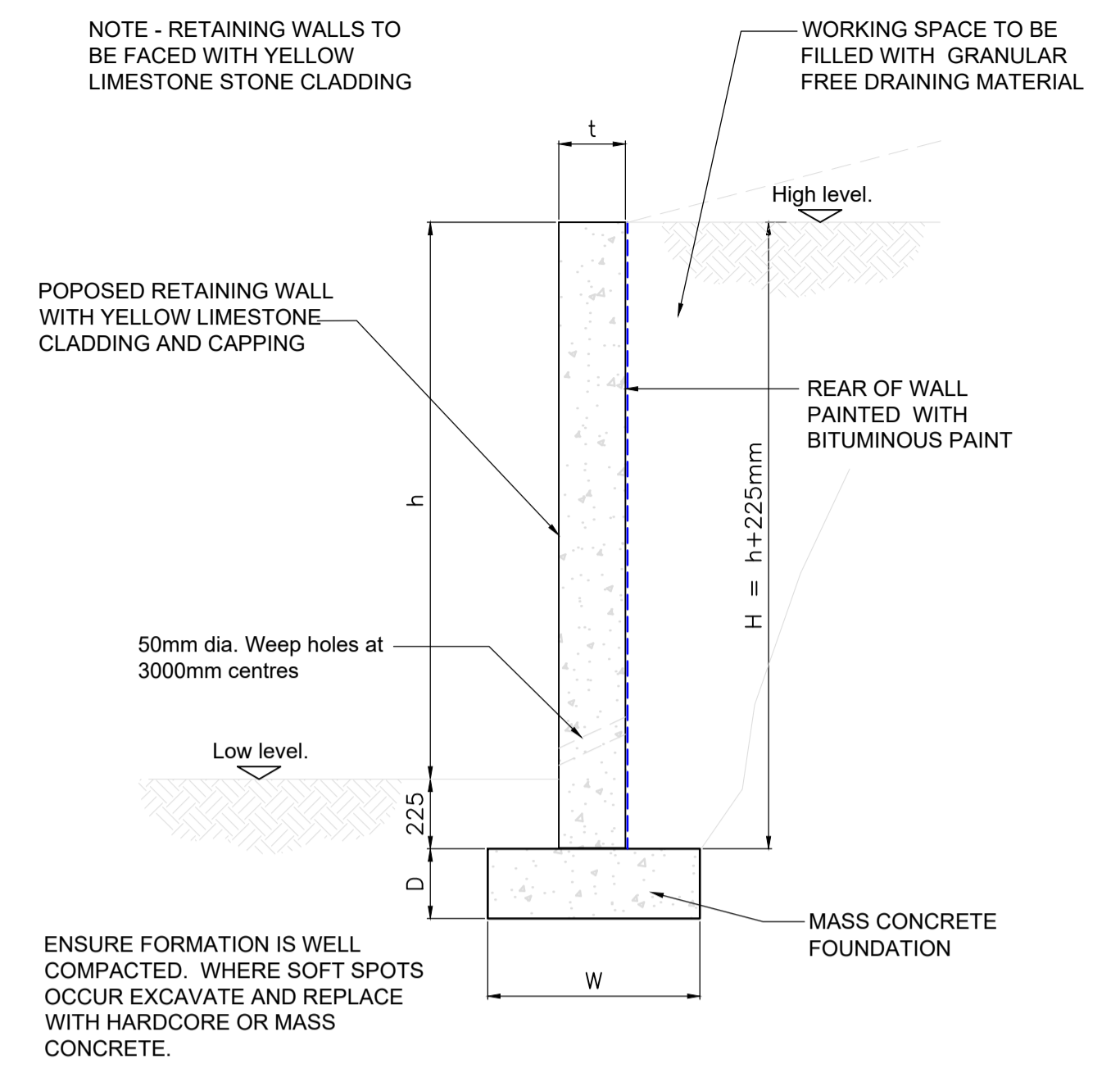


TYPICAL ATTENUATION TANK DETAIL
A1 SCALE 1:25



TYPICAL RAILINGS DETAIL
A1 SCALE 1:25
A3 SCALE 1:50

TYPICAL ENTRANCE BOUNDARY DETAIL
A1 SCALE 1:25
A3 SCALE 1:50



TYPICAL RETAINING WALL DETAIL
SCALE 1:20

ENSURE FORMATION IS WELL COMPACTED. WHERE SOFT SPOTS OCCUR EXCAVATE AND REPLACE WITH HARDCORE OR MASS CONCRETE.

Rev	Date	Description	By	Chkd.
P0	30.09.2021	Planning Issue	DM	MG

Client: Comhairle Contae Thiobraid Árann Tipperary County Council

Project: **Cahir Town Centre Car Park**

Title: **Site Development Details Sheet 2 of 2**

Scale @ A1:	As Shown
Prepared by:	DM
Checked:	MG
Date:	Sept 2021
Project Director:	Brian Carroll
Drawing Status:	Planning

TOBIN
CONSULTING ENGINEERS
TOBIN Consulting Engineers,
Fairgreen House, Fairgreen Road,
Galway, Ireland.
tel: +353-(0)91-565211
fax: +353-(0)91-565398
e-mail: galway@tobin.ie
www.tobin.ie

Drawing No.:	11170-2013	Revision:	P0
--------------	------------	-----------	----