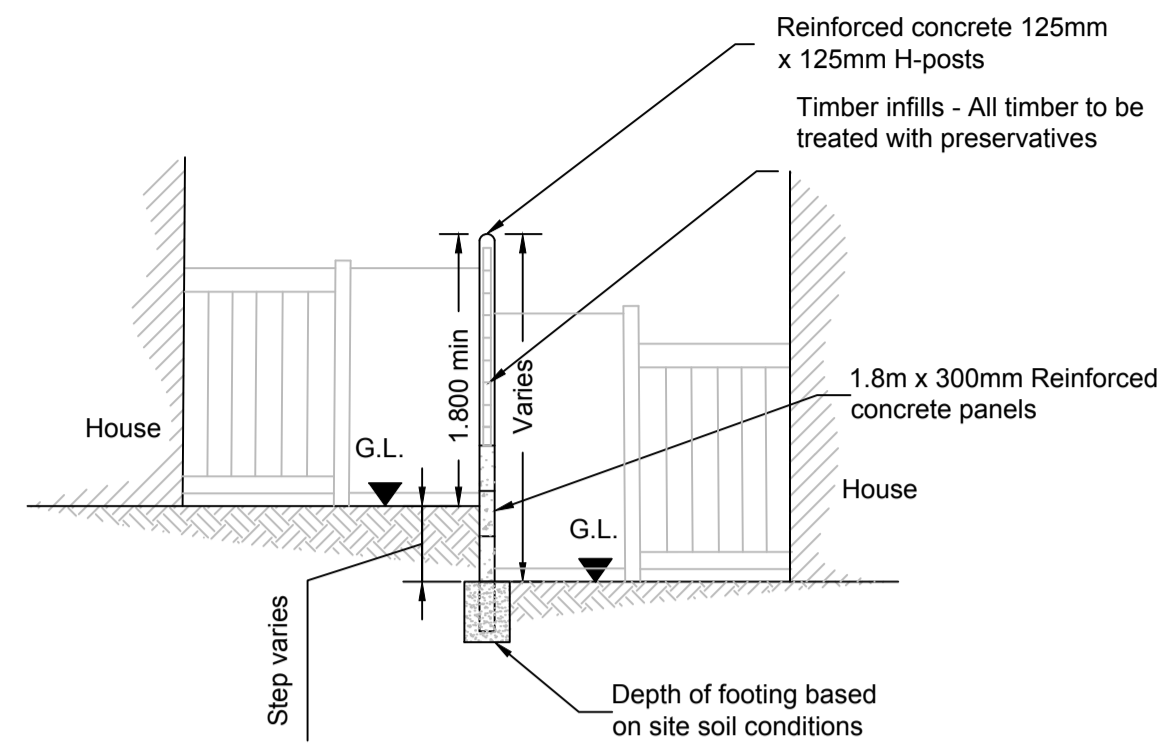
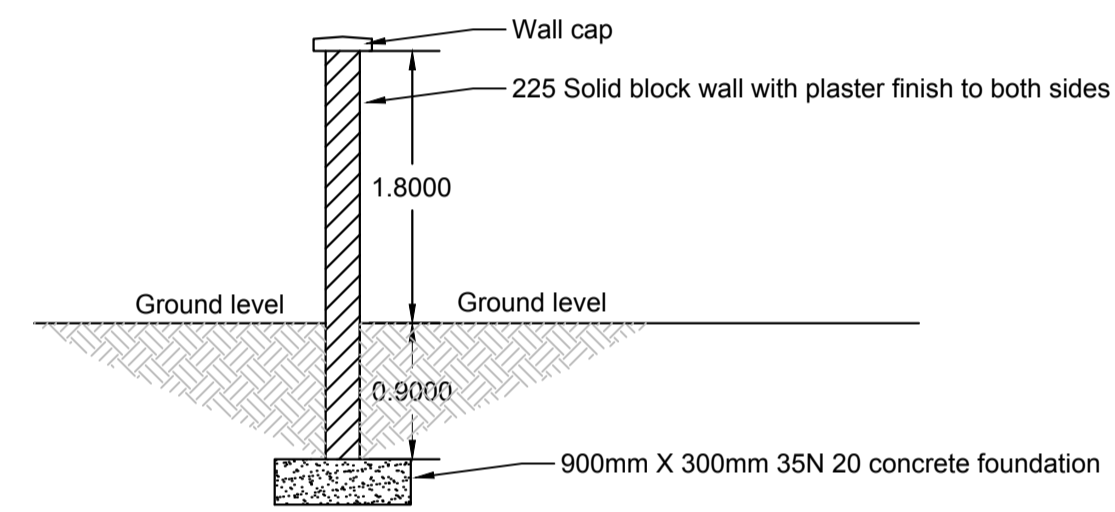


Rear side boundary treatment to dwellings

Concrete Post & Timber fence

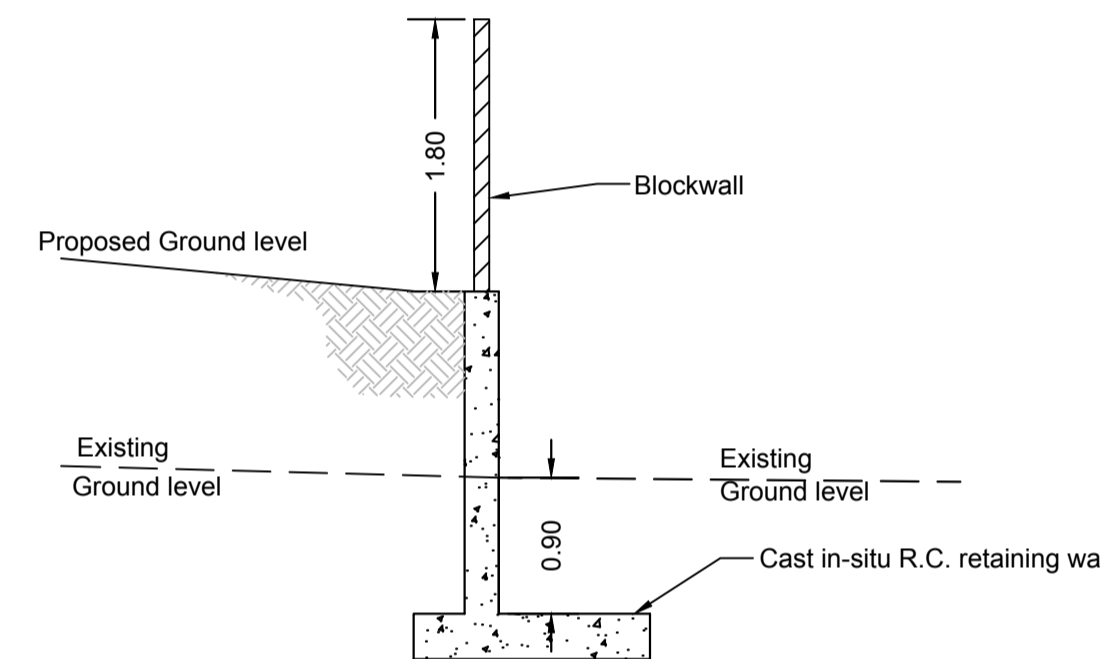


Boundary treatment for adjacent stepped garden



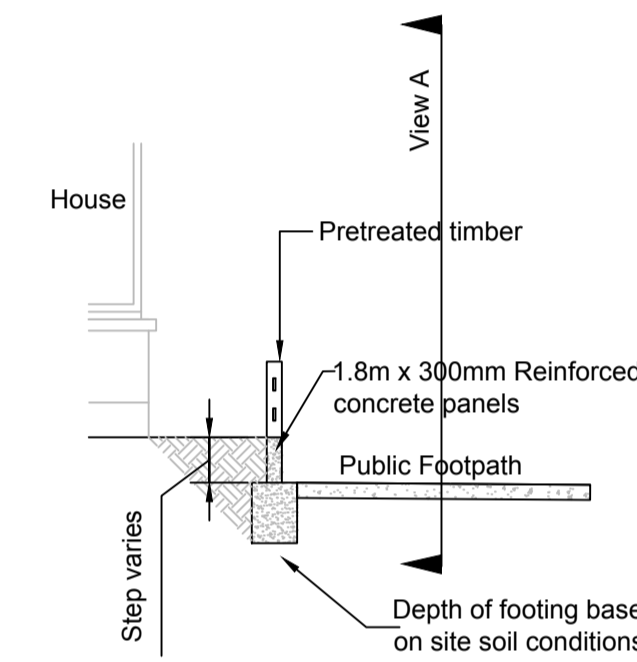
Boundaries to side & rear of properties 1-5

225mm solid block wall. 450mm square piers every 3 meters. Plaster finish to both sides.

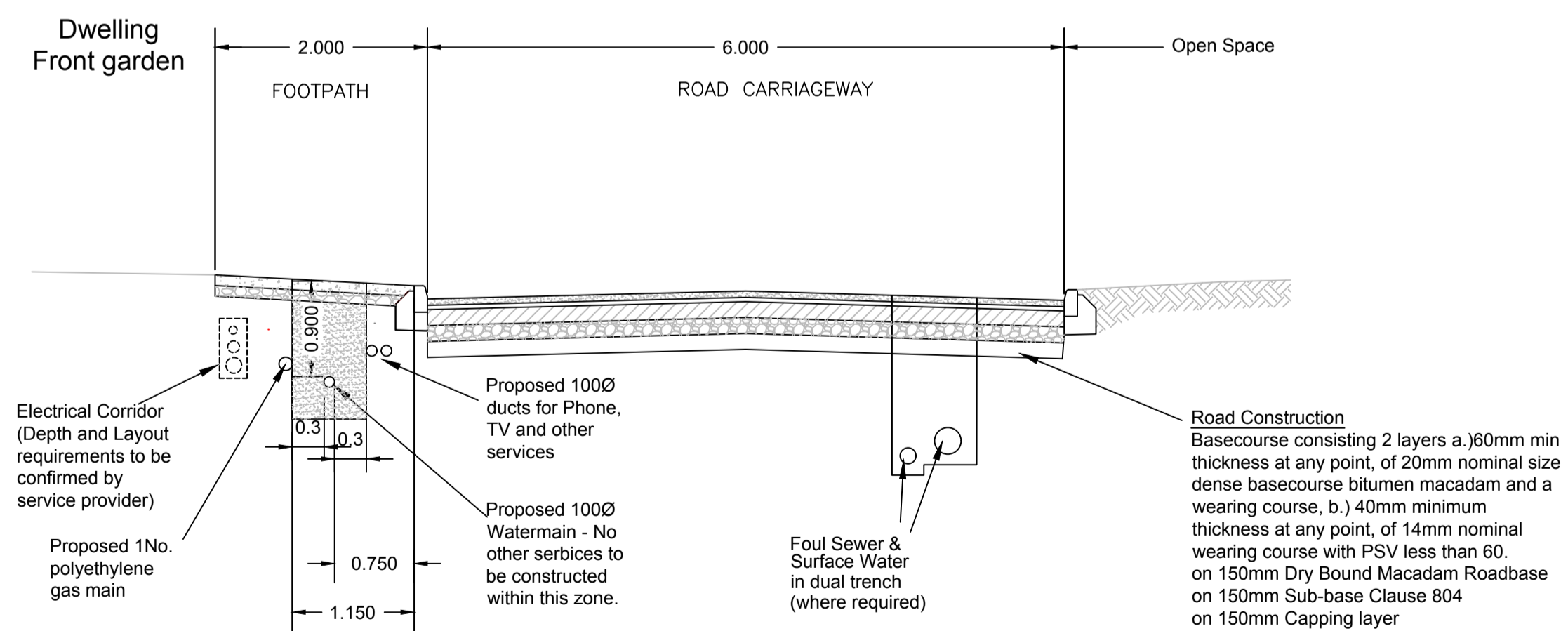
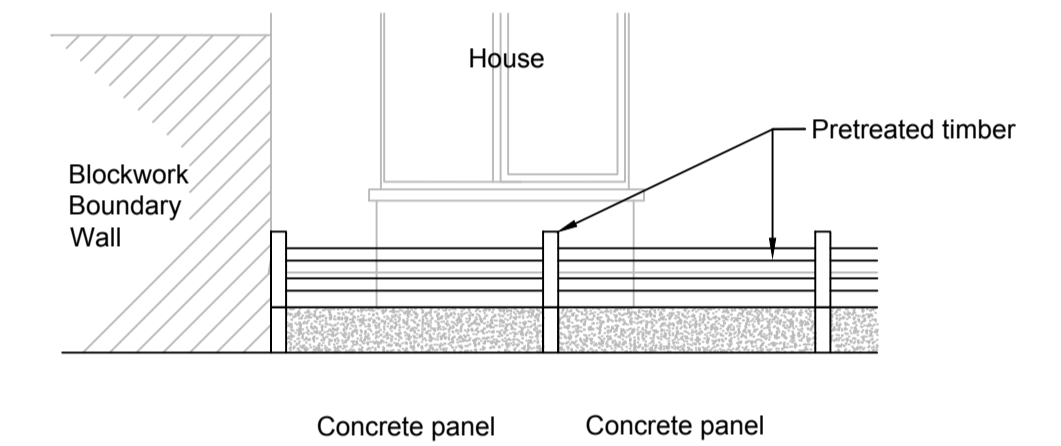


Retaining boundary wall

Wall to be designed pre-construction by structural engineer



Low level timber post and rail boundary at house no.s 3 & 4



Typical Road Section

Scale 1: 50

NOTES

- All works to be in accordance with councils specification and schedule of works and in compliance with current building regulations.
- All works to be in accordance with the following document 'Irish Water - Connection and Developer Services - Water Infrastructure Standard Details August 2016'.

REVISION	NO	DATE	BY

HOUSING SECTION
 CIVIC OFFICES, EMMET STREET, CLONMEL, CO. TIPPERARY
 S. CARR DIRECTOR OF HOUSING L. RYAN SENIOR EXECUTIVE ARCHITECT

Part 8 - Proposed development at Portroe, Nenagh, Co. Tipperary
SITE DETAILS

DRAWN BY: MOC MAY, 2018	CHECKED BY: LR MAY, 2018	SCALE: A1 @ 1:20	DWG No: 22/PR/P8/11/01
----------------------------	-----------------------------	---------------------	---------------------------